

# 70E



Application **Carton / Pallet / Flexible Package / Bag / Plates**

Position **Top / Side / Bottom**

## **Big**

180 mm label width, 900 m label capacity and 1200 m ribbon capacity.

## **Robust**

Servo-Print™ technology, high-performance and excellent stability.

## **Universal**

30 x 30 ~ 180 x 300 mm label size. Fully electric labeling, Eco and easy.

# 70E

## e-Tamp DGM Printer Applicator

### Printing

Print Method	Thermal Transfer
Print Resolution	11.8 d/mm (300 dpi)
Maximum Print Width	168 mm (6.6 inch)
Maximum Print Speed	300 mm/s (11.8 ips)
Barcode Symbolologies	All major 1D and 2D barcodes
Graphic	BMP format
Ribbon Roll	115 mm O.D., 25.4 mm I.D., total length about 1200 m
Ribbon Type	Resin, Wax-Resin

### Operating Characteristics

Operating Temperature	0°C ~ +40°C
Storage Temperature	-40°C ~ +80°C
Humidity	5% ~ 90% R.H., non-condensing
Dimensions	L 826 mm x H 690 mm x W 447 mm
Weight	65 kg
Electrical Power Supply	90-264VAC, 47-63 Hz, 600W
Compressed Air Supply	No Need

### Standard Configuration

Print and Apply Engine	<b>Hot 7R</b> 168 mm x 11.8 d/mm, Right-hand, Thermal Transfer
Labeling Actuator	<b>Par-8.2</b> e-Tamp, 300 mm stroke length
Labeling Plate	<b>Hd-31</b> Universal type, Max. labels size 180 x 150 mm
Micro-controller	<b>CC 7.0</b>
HMI	10 inch Touch Screen Panel PC with Linux OS
Data Interface	Ethernet 1000Mbps, USB 2.0
Control Interface	3 pin photoelectric input 4 pin alarm output 10 pin I/O expansion port
Warranty	12 months
Printhead Warranty	12 months or 30 km, whichever comes first

### Labeling

Labeling Mode	e-Tamp
Stroke Length	300 / 600 mm
Valid Stroke Length	260 / 560 mm
Print and Apply Cycle Time <sup>1</sup>	1.2 Second per Label
Print and Apply Output <sup>2</sup>	2500 Labels per Hour
Labeling Tolerance	± 2 mm
Label Roll	400 mm O.D., 76 mm I.D., total length about 900 m
Label Types	Die-cut Self-adhesive Labels
Label Width	30 ~ 180 mm
Label Length	30 ~ 300 mm

### Computing

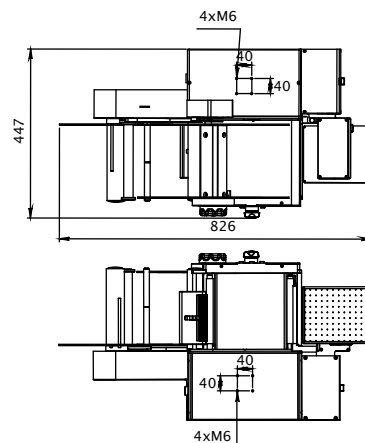
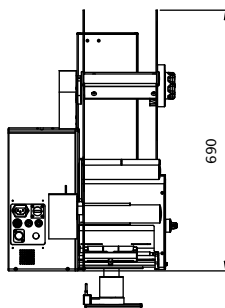
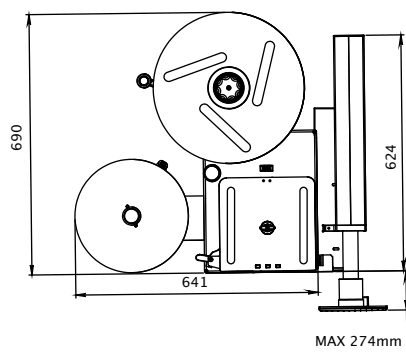
Print and Apply Software	<b>OPEXE® CHI 2.0</b>
Label Design Software	<b>OPEXE® Label 3.0</b>
Command Language	CPL ( COTAO Printing and Labeling Language), ZPL

### Options and Accessories

Print and Apply Engine	<b>Hot 7L</b> 168 mm x 11.8 d/mm, Left-hand, Thermal Transfer
Labeling Actuator	<b>Par-8.2</b> e-Tamp, 600 mm stroke length
Labeling Plate <sup>3</sup>	<b>Hd-31</b> Universal type, Max. labels size 180 x 300 mm <b>Hd-32</b> Special type, Customized by labels sizes
HMI	12+ inch Touch Screen Panel PC with Windows OS
Mounting Stand <sup>4</sup>	<b>K-Base</b> Assemble Steel Pipe Stand with Casters <b>T-Base</b> Fixed Height Welded Stand <b>H-Base</b> Manual Adjustable Welded Stand <b>X-Base</b> Manual Adjustable Welded Stand (X-Z Axis) <b>Y-Base</b> Manual Adjustable Welded Stand (Y-Z Axis) <b>E-Base</b> Electric Adjustable Welded Stand
Software <sup>5</sup>	<b>OPEXE® Printing</b> , <b>OPEXE® Scanning</b> <b>OPEXE® Weighting</b> , <b>OPEXE® Packing</b>
Ribbon	Resin or Wax-Resin, 110/176 mm Width x 1200 m Length

**COTAO®**

Print Engines



1. The actual print and apply cycle time is related to factors such as label size, stroke length, data processing and transmission time;  
3. Special labeling plates can be customized according to working conditions and customer needs;  
5. Printing and labeling application software and software integration interface can be customized according to customer needs;  
7. We reserve the right to amend the design and/or specifications of our products without notice.

2. The actual print and apply output is related to the size change of the labeled objects, loading, unloading, sorting and positioning time;  
4. Special stand or closed frames can be customized according to working conditions and installation requirements;  
6. COTAO and OPEXE® are trademarks of COTAO Technologies Co., Ltd. All rights reserved.