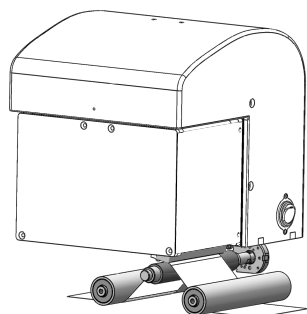


COBRA 3



Application **OPP Tape / Kraft Tape / Banding Tape / VFFS / HFFS / Wrapper / Labeler**

Position **Top / Side / Bottom**

User-friendly

Edit and send print tasks directly on your mobile phone
Servo-print™ technology, high-performance and excellent stability

Ribbon Cartridge

600 m ribbon capacity in cassette. Quickly replaceable and recyclable

Tape Print Engine

Print variable information directly on packaging materials or labels

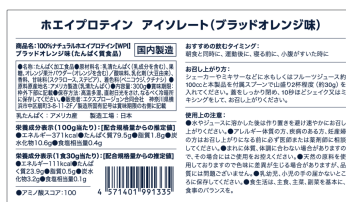
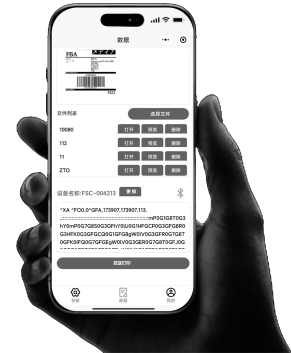
Cobra 3

Tape Print Engine

COTAO COBRA 3 tape printing engine is used for thermal transfer printing on continuous narrow films and papers.

These continuous films and papers are mainly used as packaging materials for production and transportation packaging. Thermal transfer printing of COBRA 3 can replace the label materials required before, which is more environmentally friendly and increases aesthetics.

COBRA 3 can print text, patterns, logos, 1D codes and 2D codes. Through seamless connection with local system or cloud, the printed content can be obtained in real time, so as to realize the personalized printing requirements of each package.



Our goal is to work with integrators familiar with industries such as food, pharmaceuticals and logistics to reduce costs for their end users and improve productivity, traceability and customer satisfaction.

Print features

Print Method	Thermal Transfer
Print Resolution	11.8 d/mm (300 dpi)
Maximum Print Width	81.3 mm (3.2 inch)
Maximum Print Speed	200 mm/s (8 ips)
Label Design Software	OPEXE® Label 3.0
Command Language	CPL (COTAO Printing and Labeling Language), ZPL
Ribbon Length	600m
Ribbon Type	Resin, Wax-Resin

Operating Characteristics

Operating Temperature	+5°C ~ +45°C
Humidity	10% ~ 90% R.H., non-condensing
Dimensions	L 187 mm x H 196 mm x W 201 mm
Weight	5 kg
Electrical Power Supply	90-264VAC, 47-63 Hz
Compressed Air Supply	No Need
Data Communication	Bluetooth, Ethernet 1000Mbps, USB 2.0
Inputs	Print Go (24VDC), Encoder
Outputs	Fault and warning (volt free contacts)

Options and Accessories

HMI	10 inch Touch screen panel PC with Linux OS
	12+ inch Touch screen panel PC with Windows OS
Platen	110 / 180 / 300 mm length with encoder
Mounting bracket	

1. The actual print and apply cycle time is related to factors such as label size, stroke length, data processing and transmission time; 3. We reserve the right to amend the design and/or specifications of our products without notice.

2. COTAO® and OPEXE® are trademarks of COTAO Technologies Co., Ltd. All rights reserved.

COTAO®
Print Engines

